



Design by Stanley J. Friedman

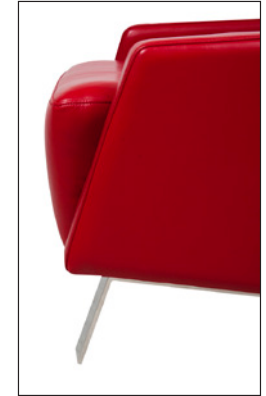


MORONI inc.

573

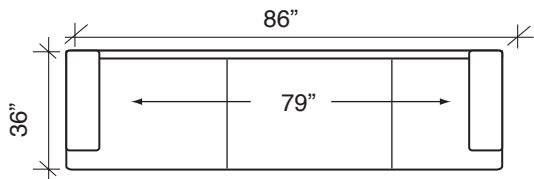
* See reverse side for dimensions

573- Scatto

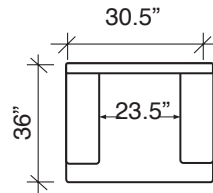


- Elastic “Pirelli” webbing suspension system
- 2.4lb. high-density foam
- 100% top grain leather
- Frames construction from kiln-dried hardwood and structural plywood

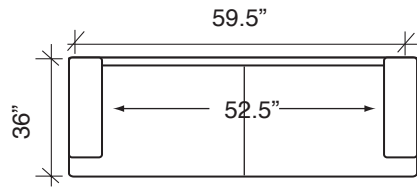
Stock Program Standard height: 28.5”



Sofa



Chair



Loveseat

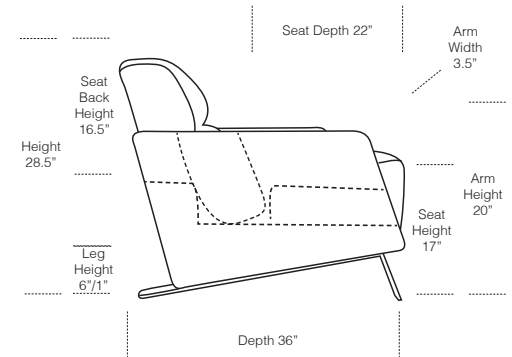


Diagram is not to scale

Stanley Jay Friedman is an American furniture designer and a lecturer of Evolution of Modernism in America for more than 25 years. Drawing inspirations from everything around him, Friedman is recognized by fellow designers and architects for his clean, barrier-breaking modern designs, and has reputation for being a savvy, forward-thinking designer. He has also earned many design awards, including the DuPont Antron Grand Prize Award, Roscoe Awards, and others. Motivated and inspired by today's larger and younger audiences, Stanley Jay Friedman began cooperating with Moroni Leather in 2010. The result was this stunning designer leather sofa collection to "...satisfy the very savvy American consumers, with something that is unique and beautiful."